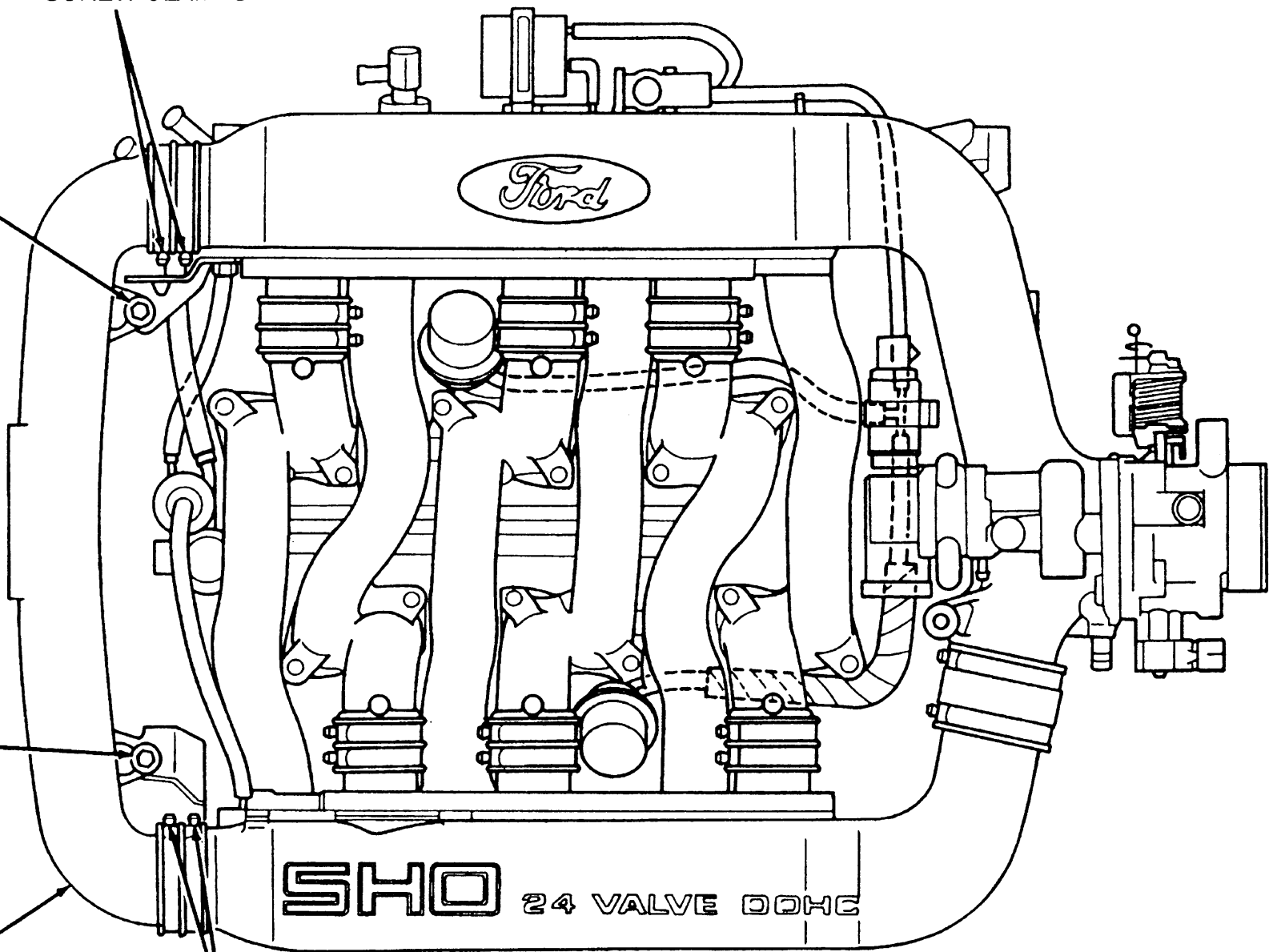


SCREW CLAMPS

RETAINING BOLT



RETAINING BOLT

ENGINE AIR INLET CONNECTOR 9C674

SCREW CLAMPS