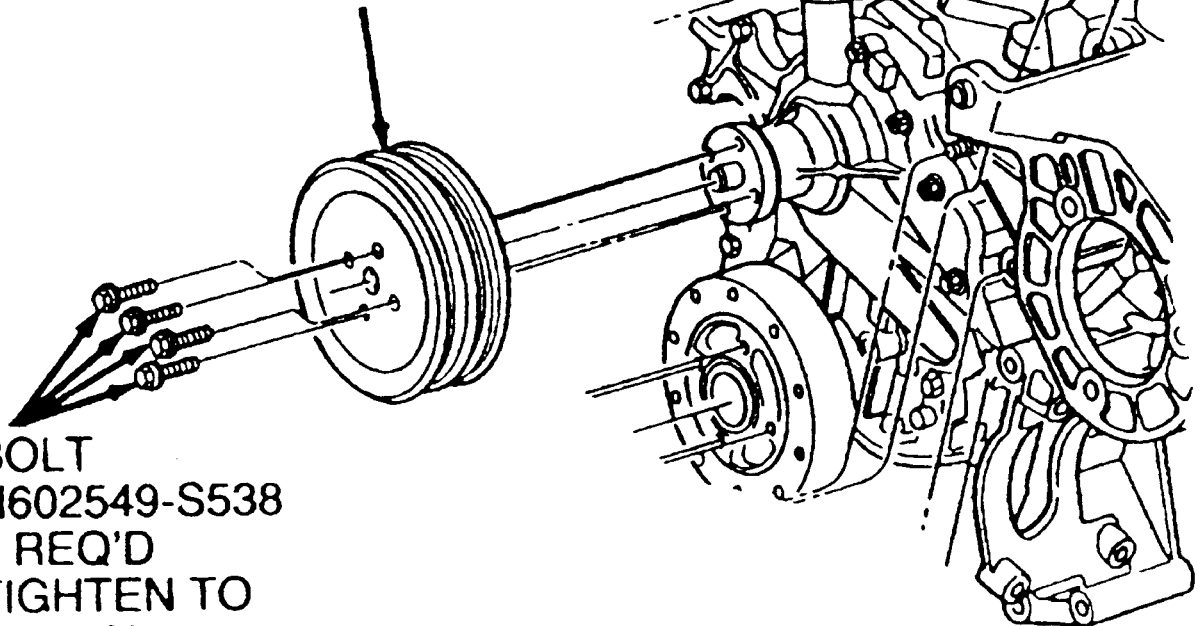


WATER PUMP  
PULLEY 8509



BOLT  
N602549-S538  
4 REQ'D  
TIGHTEN TO  
20-30 N·m  
(15-22 LB-FT)