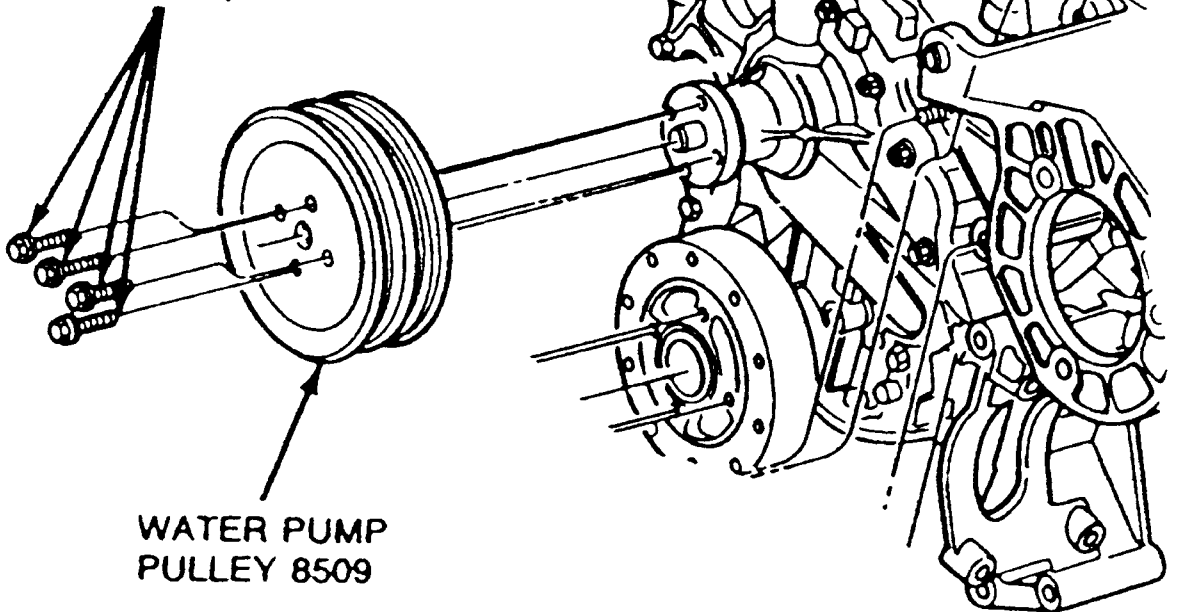


SCREW AND
WASHER ASSY
N602549-S538
4 REQ'D
TIGHTEN TO
21 N·m
(16 LB-FT)



WATER PUMP
PULLEY 8509