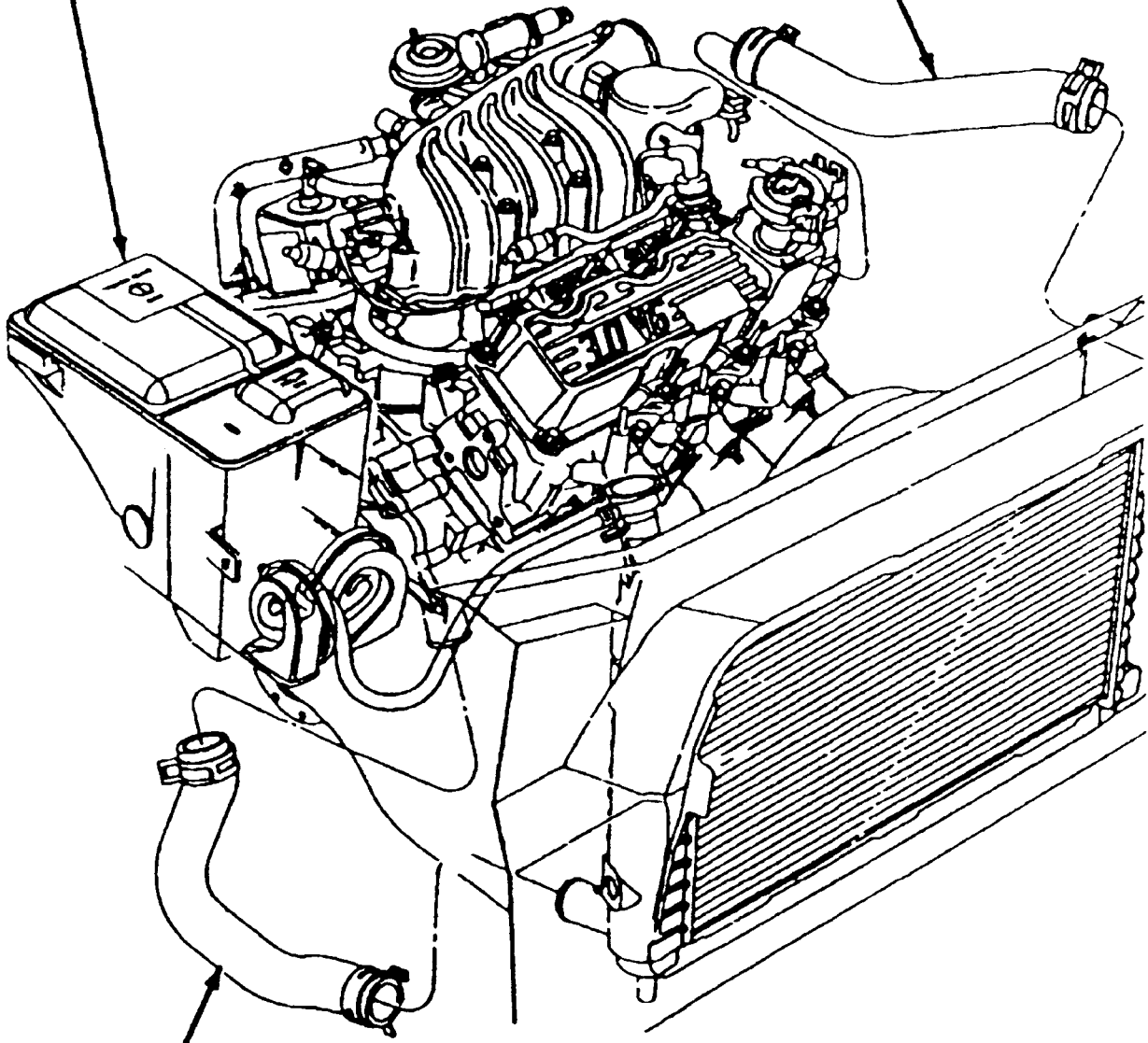


RADIATOR COOLANT
RECOVERY RESERVOIR
8A080

UPPER RADIATOR
HOSE 8260



LOWER
RADIATOR
HOSE 8286