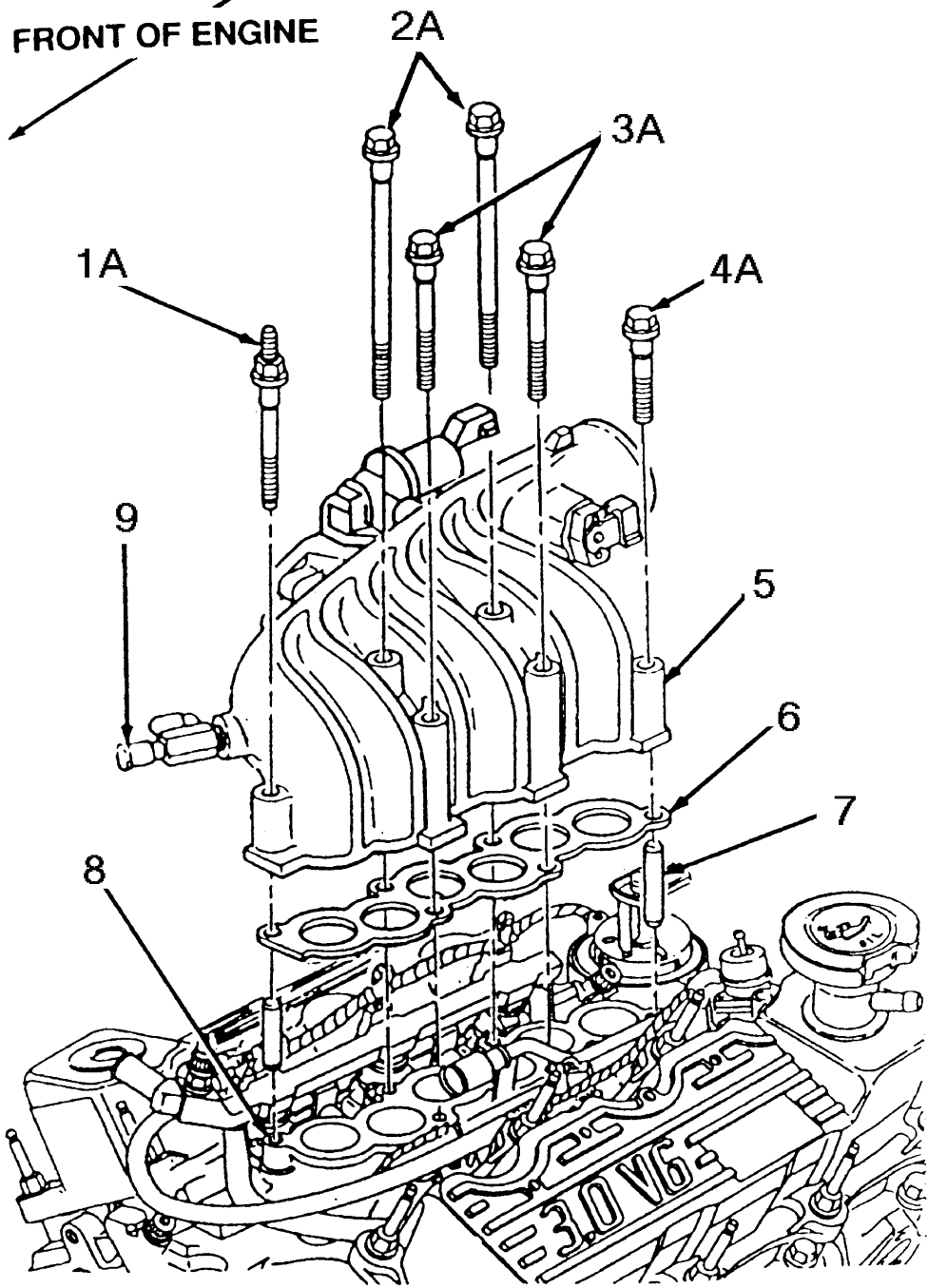


FRONT OF ENGINE



1A Stud bolt

2A Bolt (2 req'd)

3A Bolt (2 req'd)

4A Bolt

5 Throttle body

6 Intake manifold upper gasket

7 Guide pin

8 Intake manifold

9 Intake manifold vacuum

A Tighten to 20-30 Nm (15-22 lb.ft.)