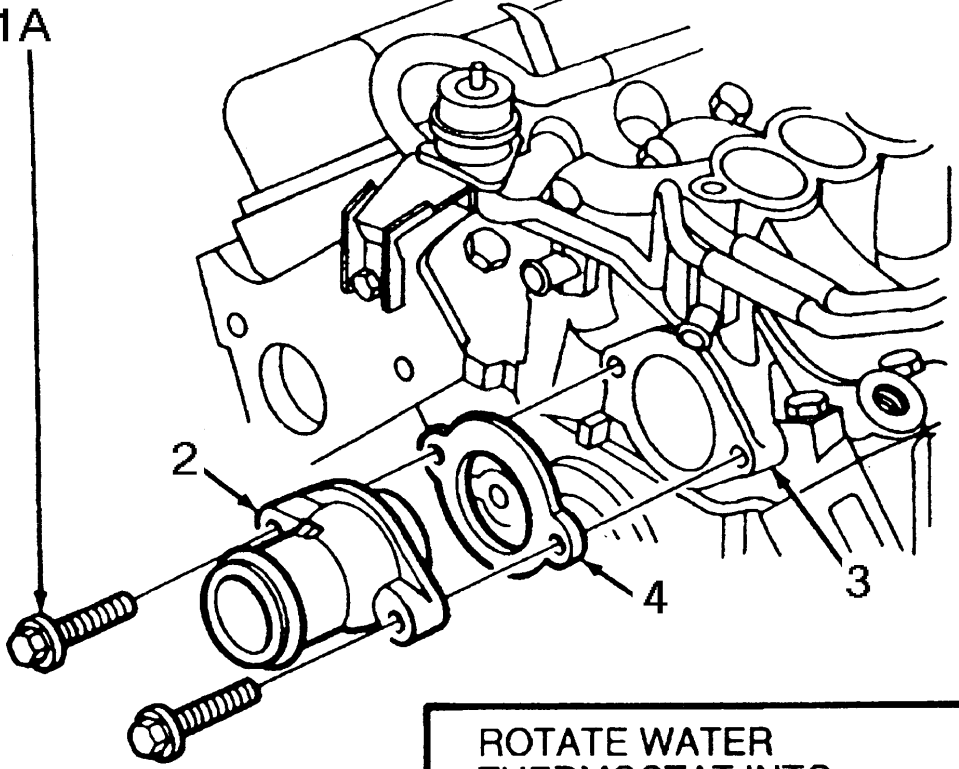
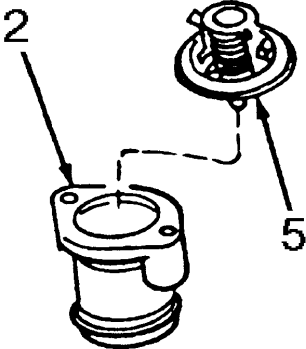


FRONT OF ENGINE

1A

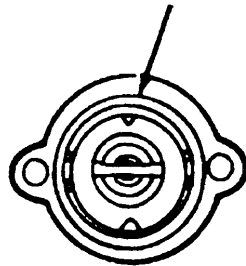


VIEW A



SUB-ASSEMBLY

ROTATE WATER
THERMOSTAT INTO
CONNECTION IN A
CLOCKWISE DIRECTION,
ENGAGING RAMPS ON
WATER THERMOSTAT
SECURELY INTO WATER
OUTLET CONNECTION



VIEW A

- 1 Bolt (2 req'd)
 - 2 Water outlet connection
 - 3 Lower intake manifold
 - 4 Water hose connection gasket
 - 5 Water thermostat
- A Tighten to 20-30 Nm (15-22 lb.ft.)