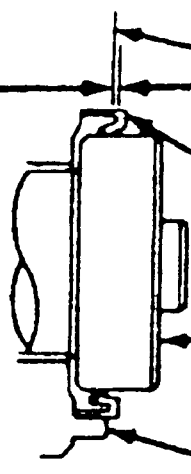


0.5-0.0mm  
(0.020-0.0 INCH)  
(DO NOT  
BOTTOM)



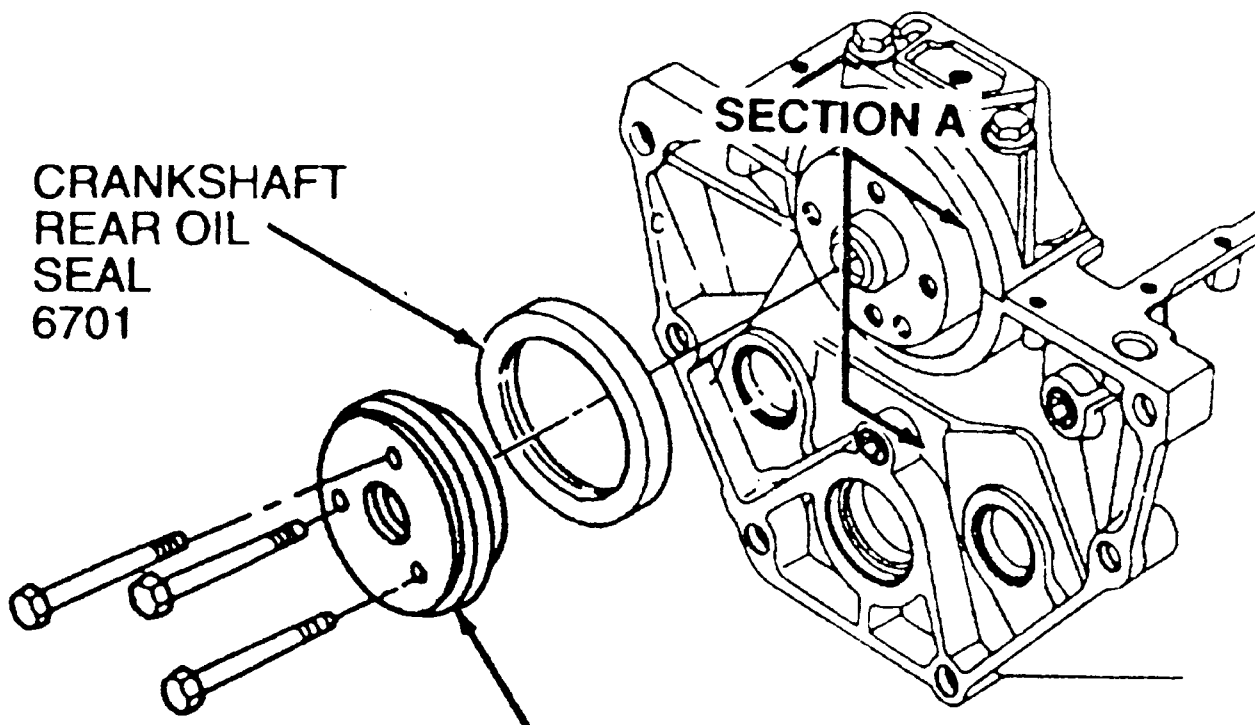
REAR FACE OF  
CYLINDER BLOCK  
6010

CRANKSHAFT REAR  
OIL SEAL 6701

CRANKSHAFT  
6303

REAR CRANKSHAFT  
MAIN BEARING  
CAP (PART OF 6010)

**SECTION A**  
**SEAL INSTALLED HEIGHT**



**SECTION A**

CRANKSHAFT  
REAR OIL  
SEAL  
6701

CRANKSHAFT REAR  
SEAL REPLACER  
T88L-6701-A