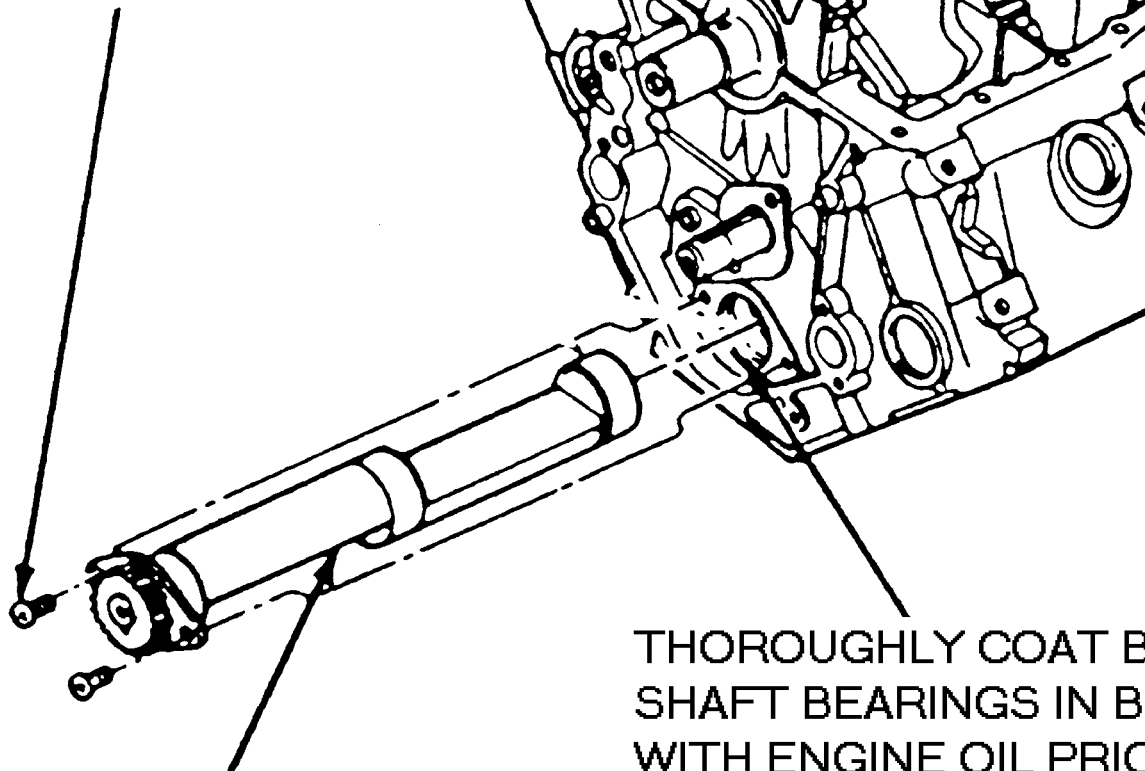


RETAINING BOLTS



THOROUGHLY COAT BALANCE  
SHAFT BEARINGS IN BLOCK  
WITH ENGINE OIL PRIOR TO  
INSTALLATION

BALANCE SHAFT