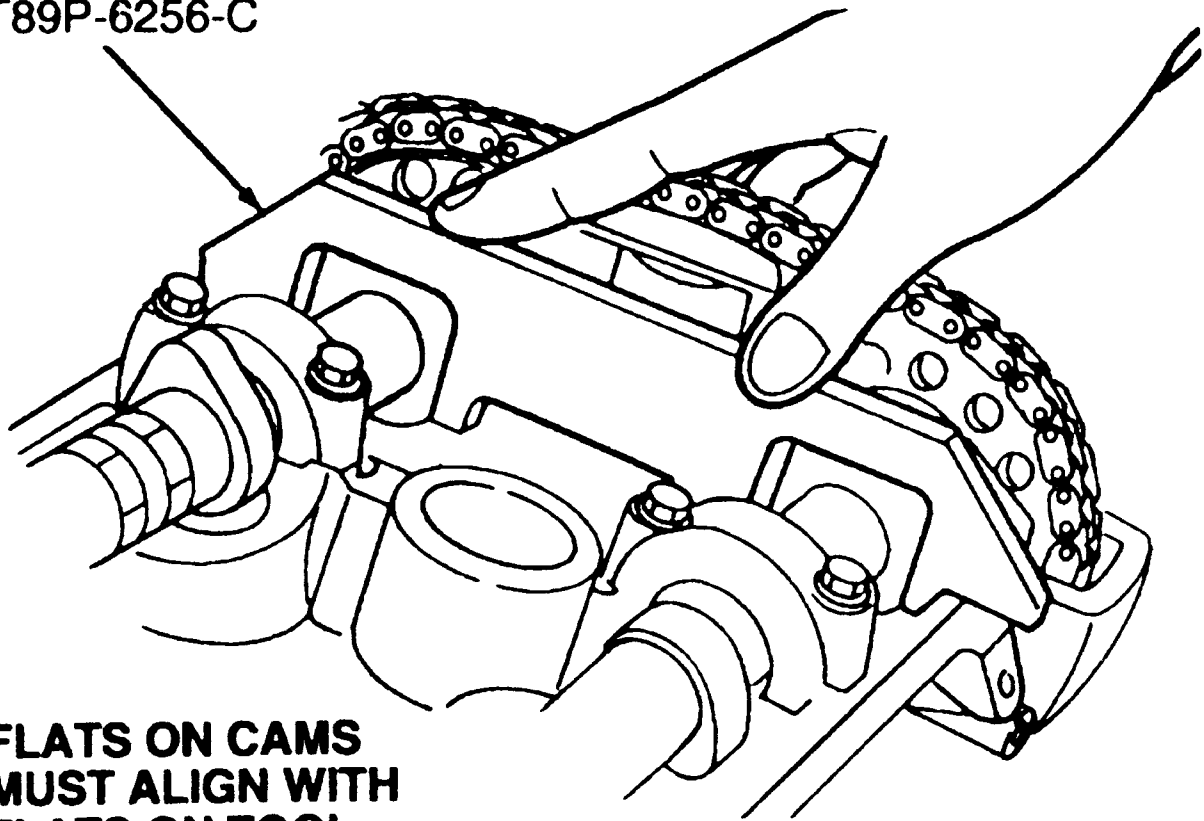


**CAM POSITION TOOL
T89P-6256-C**



**FLATS ON CAMS
MUST ALIGN WITH
FLATS ON TOOL**