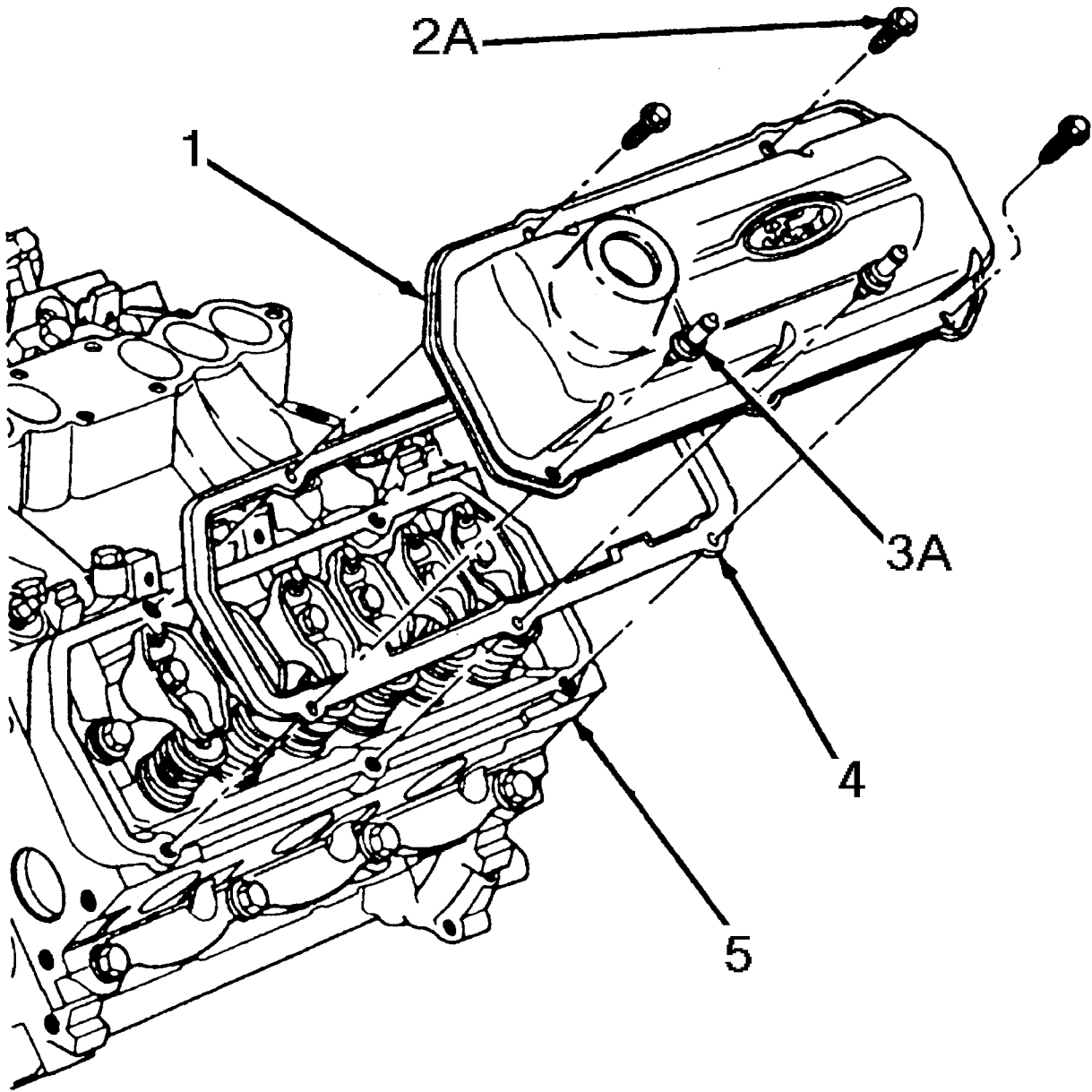


LH Side Shown, RH Side Similar



1 Valve cover

2 Bolt (3 req'd)

3 Stud (2 req'd)

4 Valve cover gasket

5 Cylinder head

A Tighten to 9-12 Nm (80-106 lb.in.)