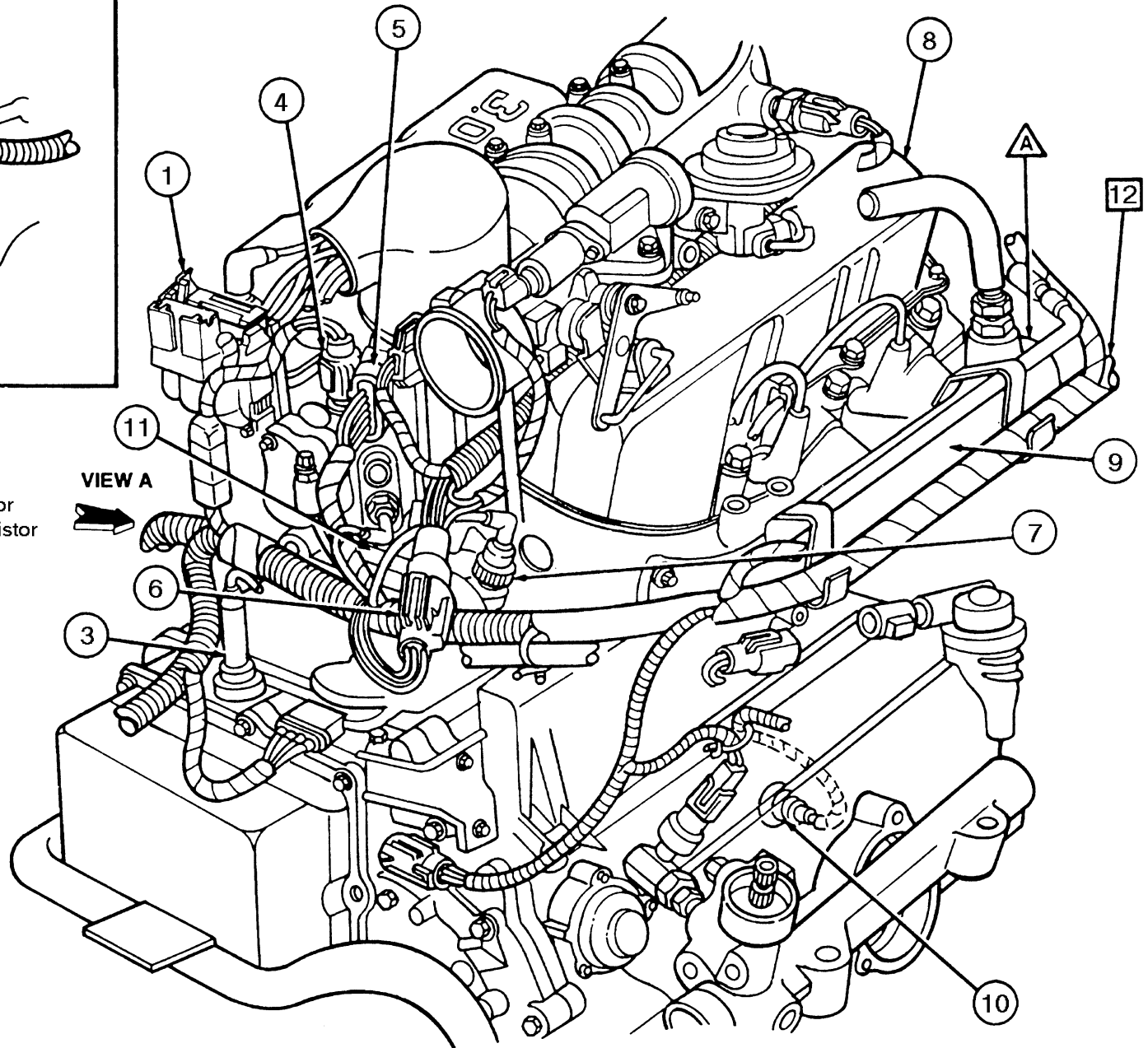


VIEW A



○ DISCONNECT/CONNECT:

- 1 Ignition coil
- 2 Radio ignition interference capacitor
- 3 Radiator electric motor voltage resistor
- 4 Engine coolant temp. sensor
- 5 Ignition control module
- 6 Fuel charging wiring harness 9D930 including 6 injectors, IAT sensor, IAC, and throttle position sensor
- 7 Oil pressure sending switch
- 8 Ground wire
- 9 Block heater (if equipped)
- 10 Low oil level sensor
- 11 Water temp. indicator sender unit

△ INSTALL:

- A Lifting bolts/lifting chains

□ REMOVE/INSTALL:

- 12 Wiring harness