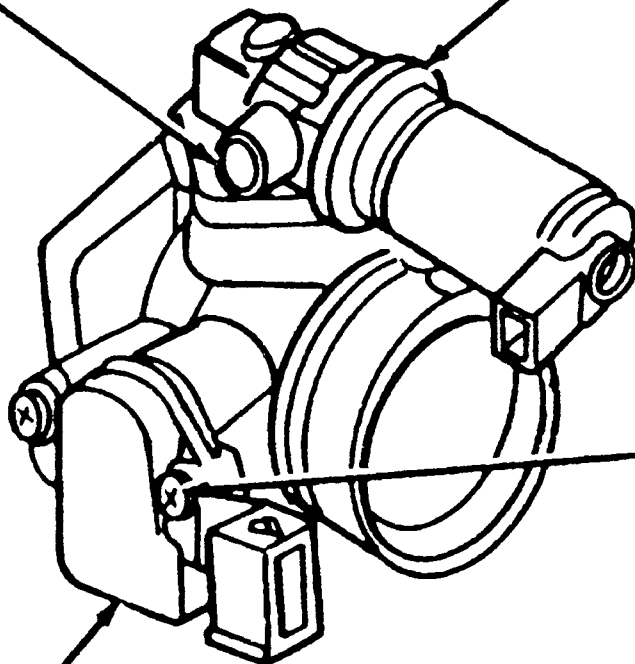


SCREW
TIGHTEN TO
9.5 N·m
(7 LB-FT)

IDLE AIR CONTROL
(IAC) VALVE 9F715



SCREW
TIGHTEN TO
2.4-3.8 N·m
(21-34 LB-IN)

THROTTLE POSITION (TP)
SENSOR 9B989