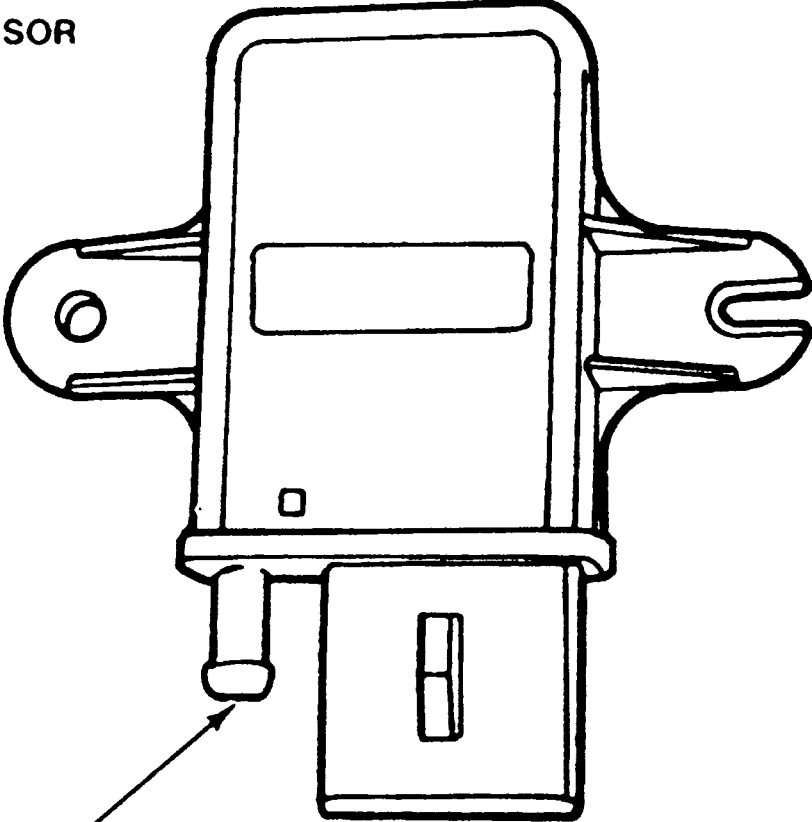


MAP SENSOR



**INTAKE
MANIFOLD
VENT**