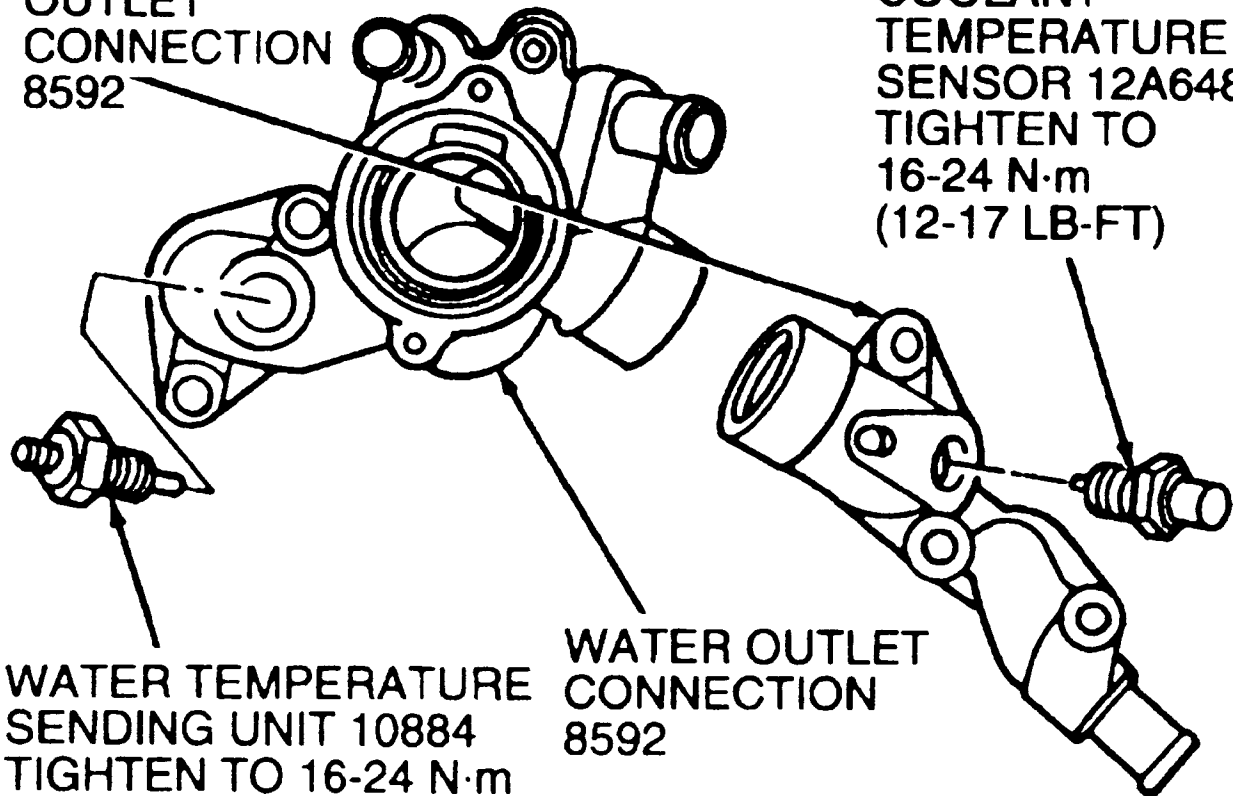


NO. 1 WATER
OUTLET
CONNECTION
8592

ENGINE
COOLANT
TEMPERATURE
SENSOR 12A648
TIGHTEN TO
16-24 N·m
(12-17 LB-FT)



WATER TEMPERATURE
SENDING UNIT 10884
TIGHTEN TO 16-24 N·m
(12-17 LB-FT)

WATER OUTLET
CONNECTION
8592