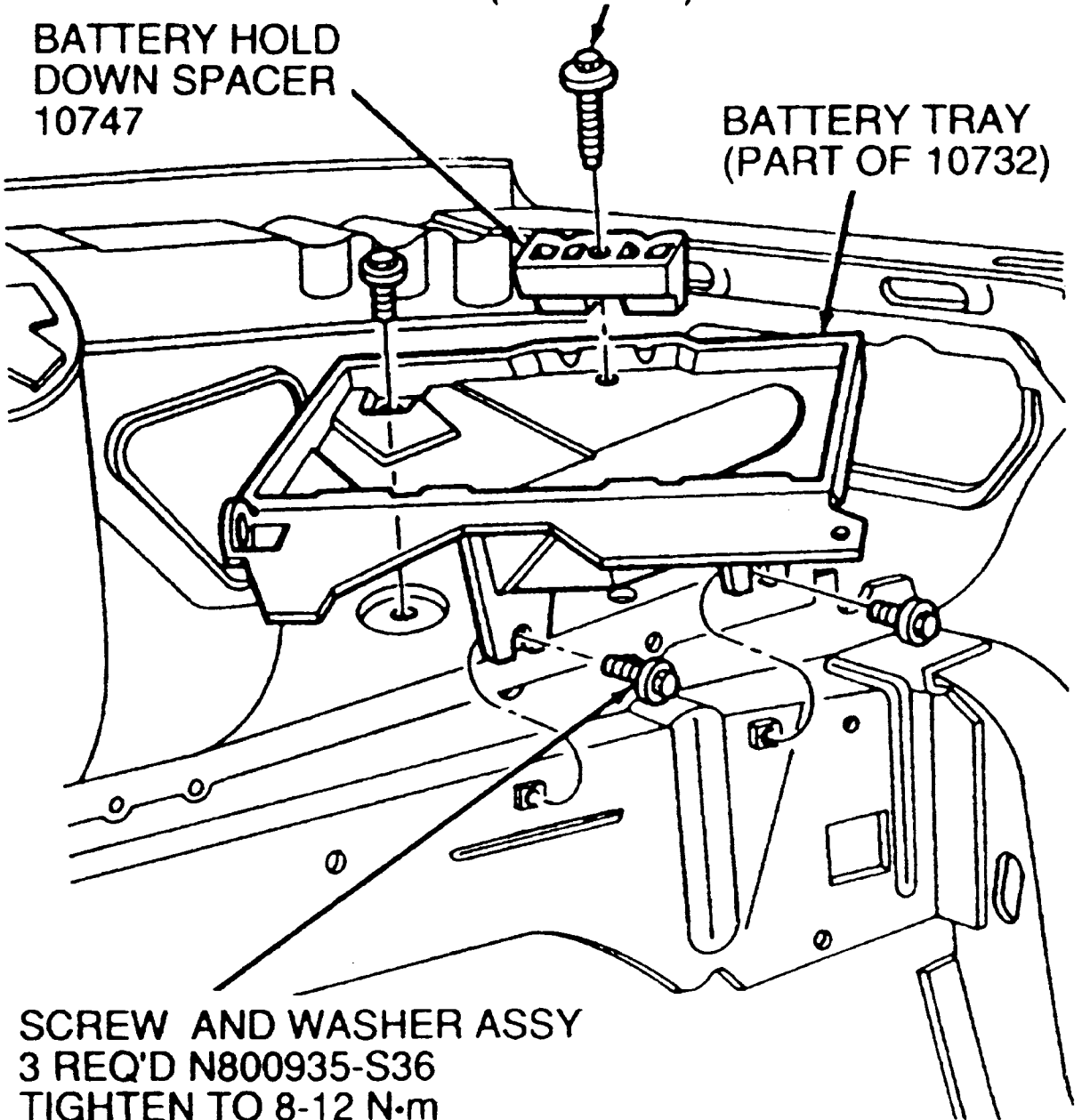


SCREW AND WASHER ASSY  
1 REQ'D N803471-S55  
TIGHTEN TO 8-12 N·m  
(6-8 LB-FT)

BATTERY HOLD  
DOWN SPACER  
10747

BATTERY TRAY  
(PART OF 10732)



SCREW AND WASHER ASSY  
3 REQ'D N800935-S36  
TIGHTEN TO 8-12 N·m  
(6-8 LB-FT)