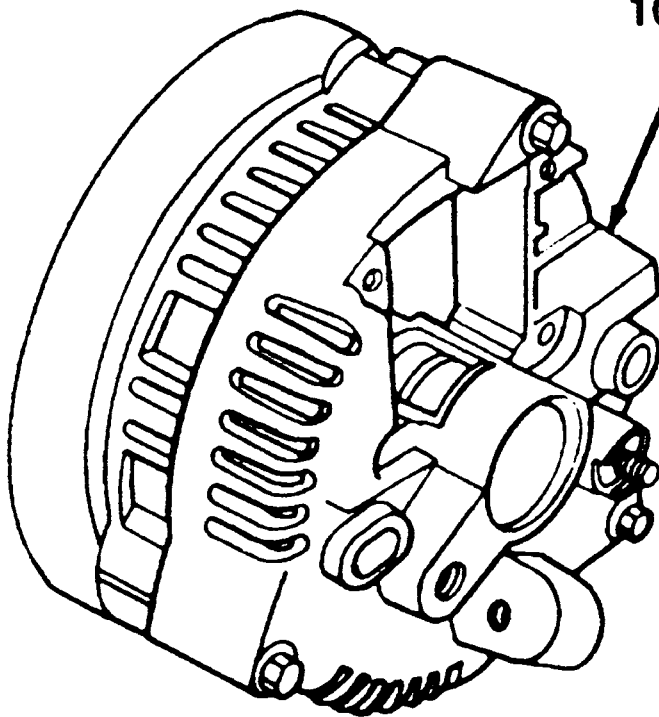
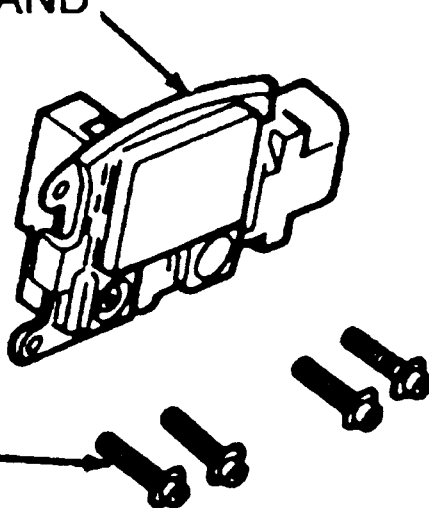


GENERATOR
10300



VOLTAGE REGULATOR 10316
AND GENERATOR BRUSH AND
TERMINAL HOLDER 10320



SCREW
4 REQ'D
TIGHTEN TO
2.3-3.4 N·m
(20-30 LB-IN)