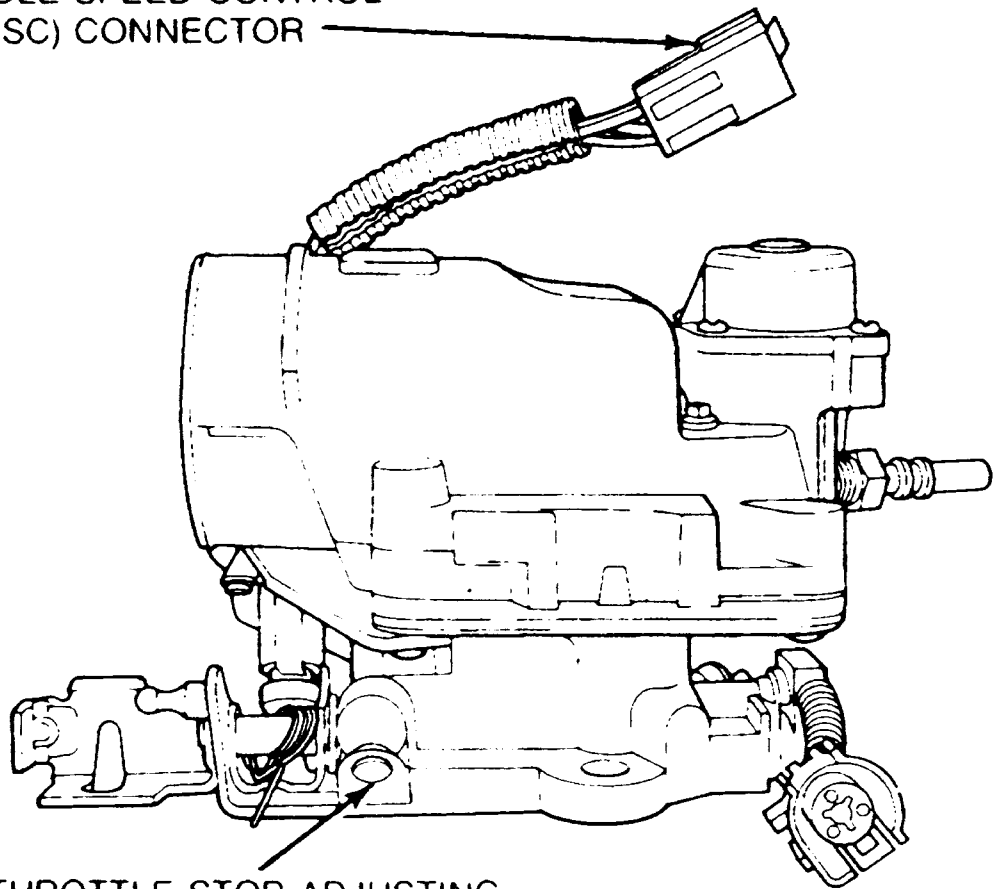


IDLE SPEED CONTROL  
(ISC) CONNECTOR



THROTTLE STOP ADJUSTING  
SCREW (TAMPER RESISTANT CAP)