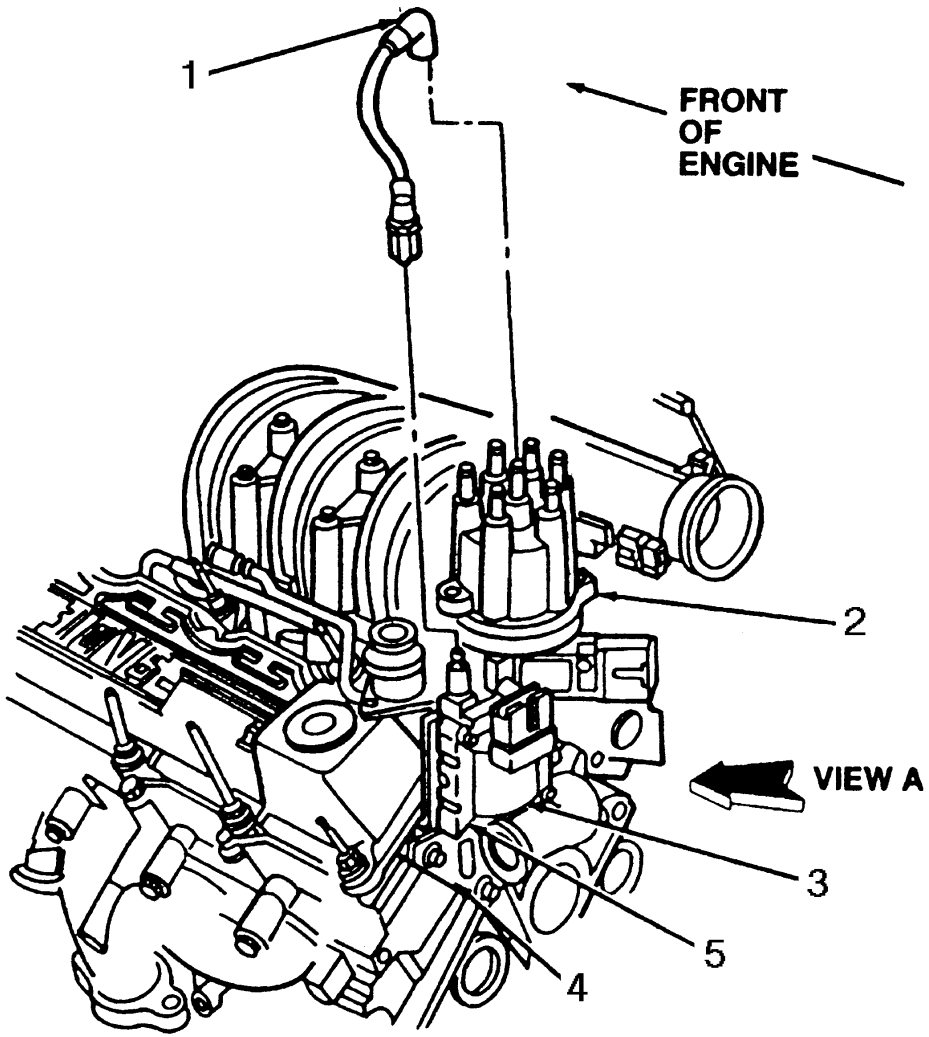


- 1 Ignition coil to distributor high tension wiring
- 2 Distributor cap
- 3 Ignition coil
- 4 Ignition coil mounting bracket
- 5 Ignition coil cover



- 6A Screw (4 req'd)
- 7 Radio ignition interference capacitor
- 8B Bolt (2 req'd)
- A Tighten to 2.8-4.0 Nm (25-35 lb.in.)
- B Tighten to 20-30 Nm (15-22 lb.ft.)