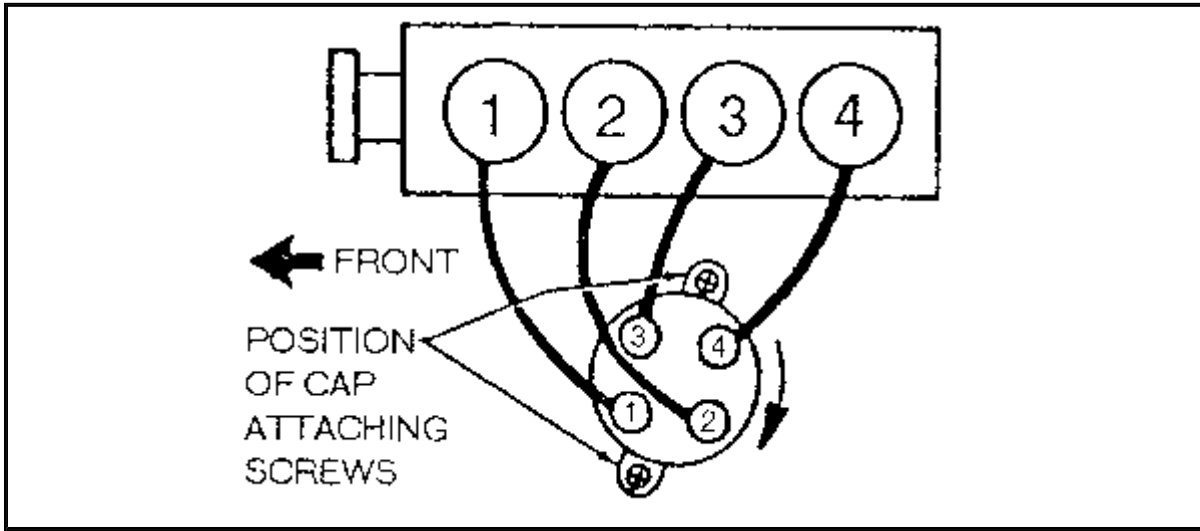
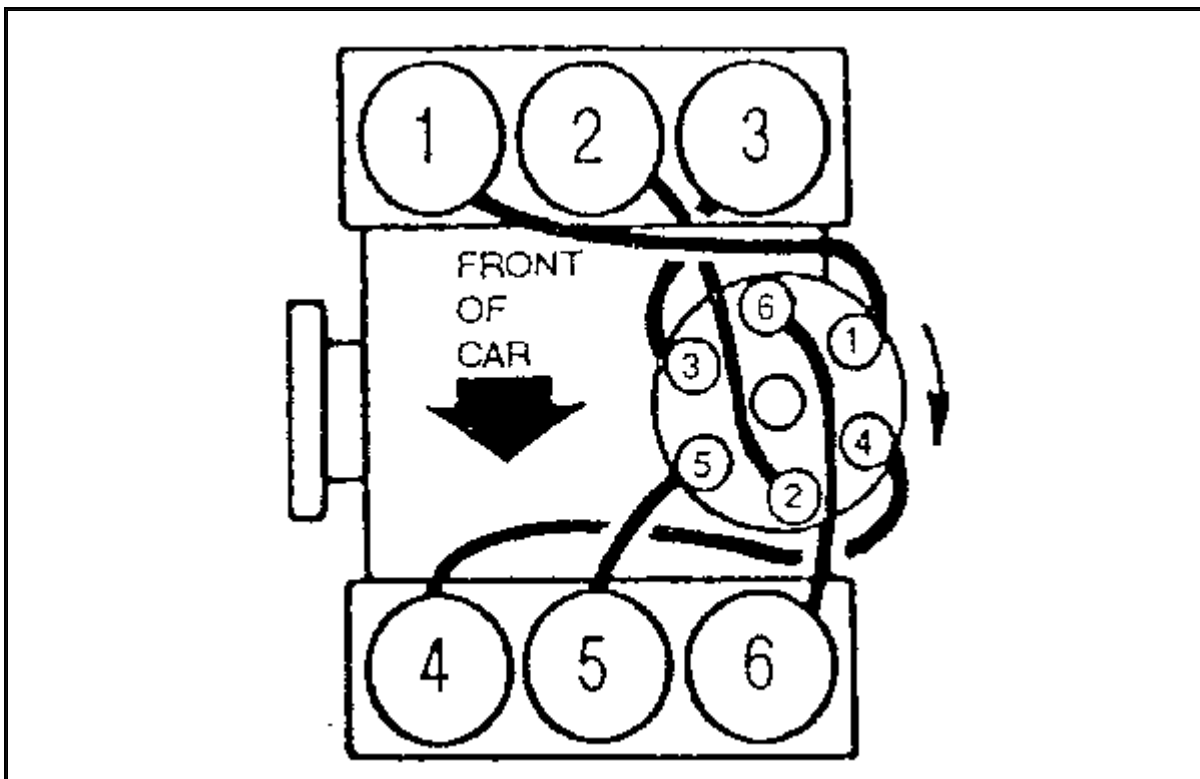


FIRING ORDERS

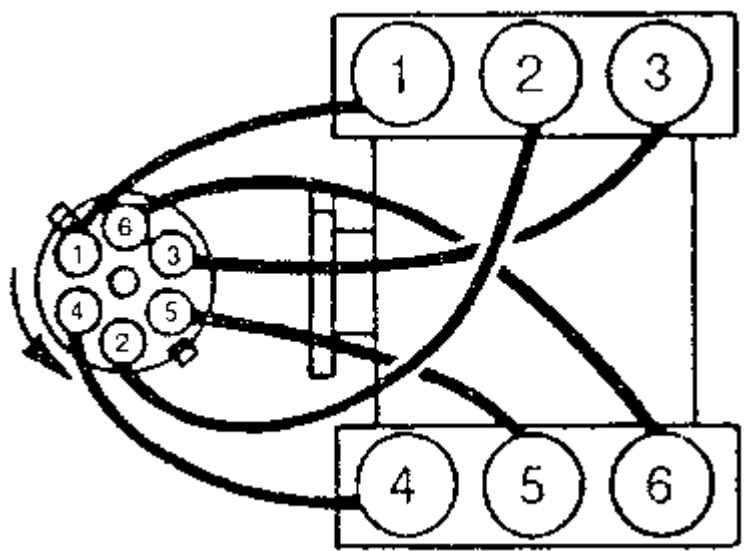
To aid in installation and avoid confusion, remove and tag the spark plug wires one at a time.



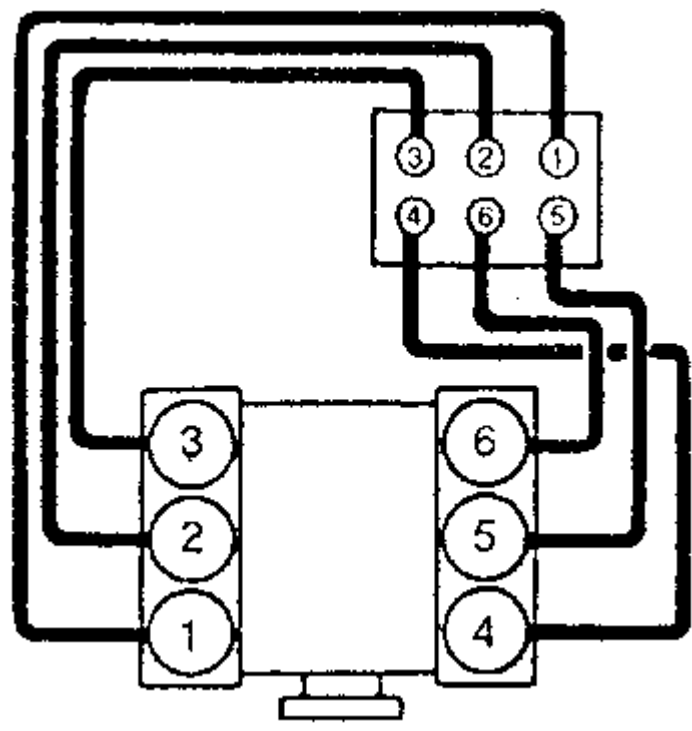
2.5L Engine Firing Order: 1-3-4-2 Distributor Rotation: Clockwise



3.0L Engine-Except SHO and Flexible Fuel Firing Order: 1-4-2-5-3-6 Distributor Rotation: Clockwise



3.8L Engine Firing Order: 1-4-2-5-3-6 Distributor Rotation: Counterclockwise



3.0L and 3.2L SHO Engines; 3.0L Flexible Fuel Engine Firing Order: 1-4-2-5-3-6
Distributorless Ignition System