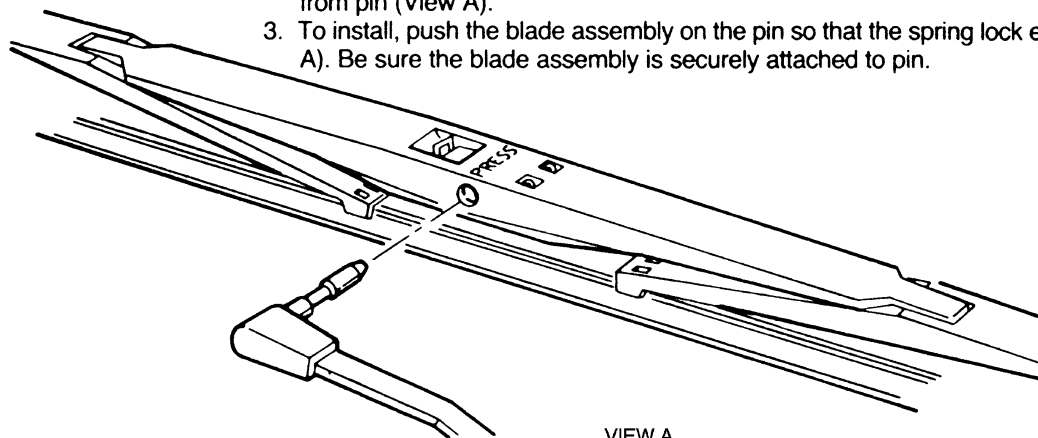
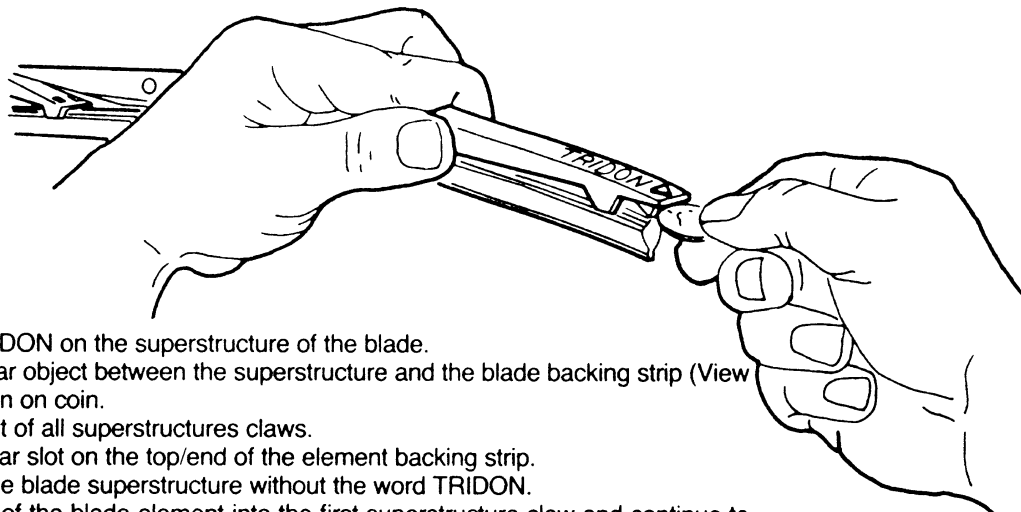


Blade replacement

1. Cycle arm and blade assembly to a position on the windshield where removal of blade assembly can be performed without difficulty. Turn ignition key off at desired position.
2. To remove blade assembly from wiper arm, press on spring lock and pull blade assembly from pin (View A).
3. To install, push the blade assembly on the pin so that the spring lock engages the pin (View A). Be sure the blade assembly is securely attached to pin.



VIEW A

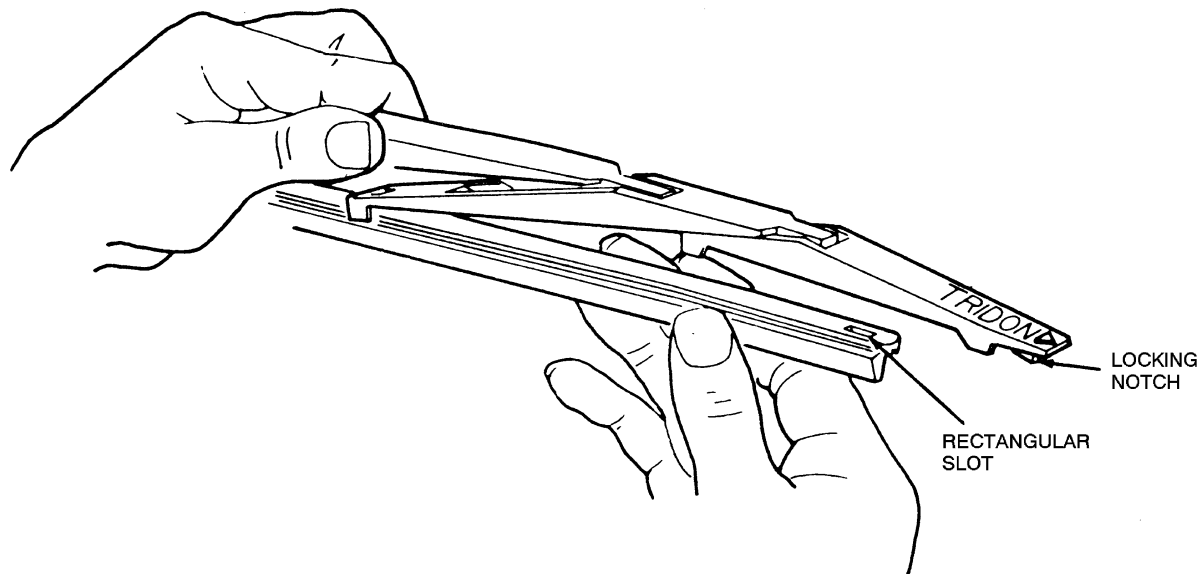


Element replacement

1. Locate the word TRIDON on the superstructure of the blade.
2. Insert a coin or similar object between the superstructure and the blade backing strip (View B). Push down and in on coin.
3. Slide the element out of all superstructures claws.
4. Locate the rectangular slot on the top/end of the element backing strip.
5. Locate the end on the blade superstructure without the word TRIDON.
6. Insert the "slot" end of the blade element into the first superstructure claw and continue to slide the blade element into all claws of the superstructure. The blade element will "snap" into place when the element is fully installed through the last superstructure claw (located at the end with the word TRIDON) (View C).

NOTE: Make sure that the element backing strip has been installed into all the superstructure claws and that the locking rib is securely engaged.

VIEW B



VIEW C