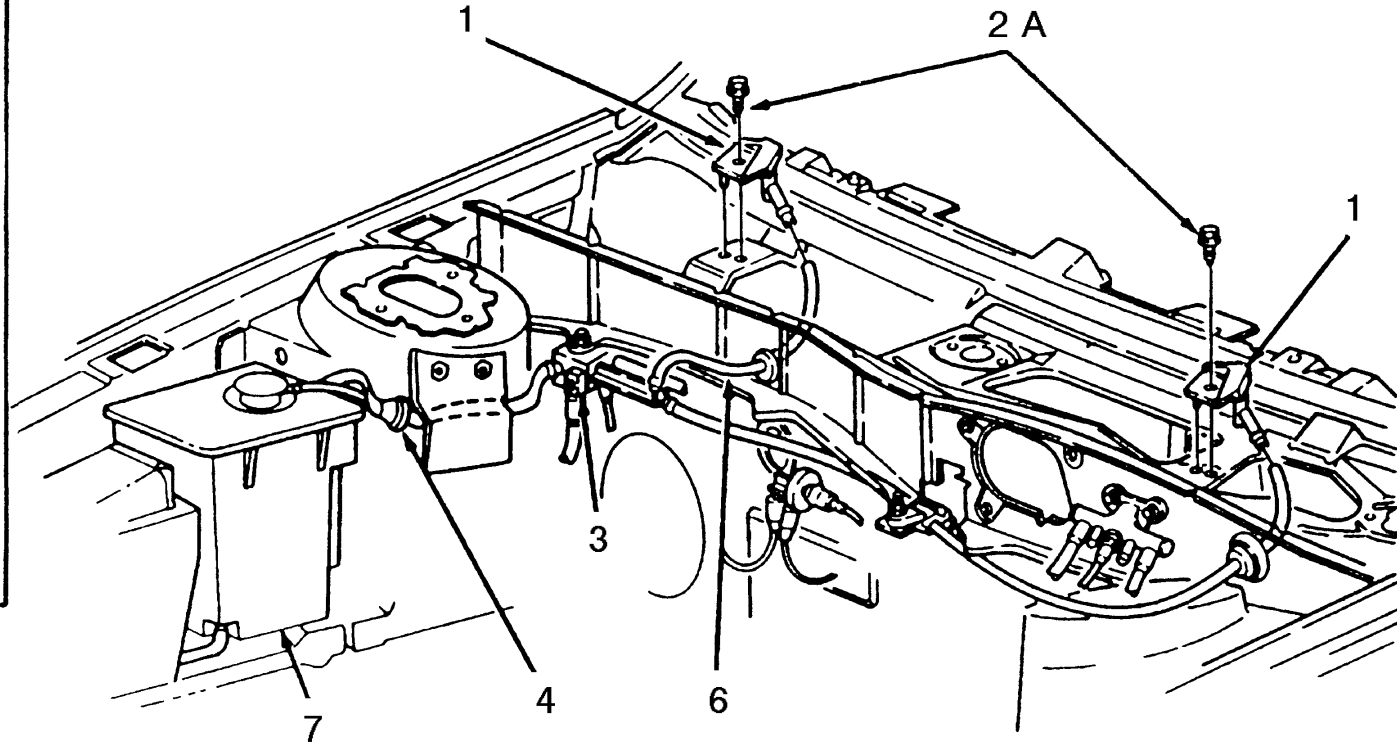
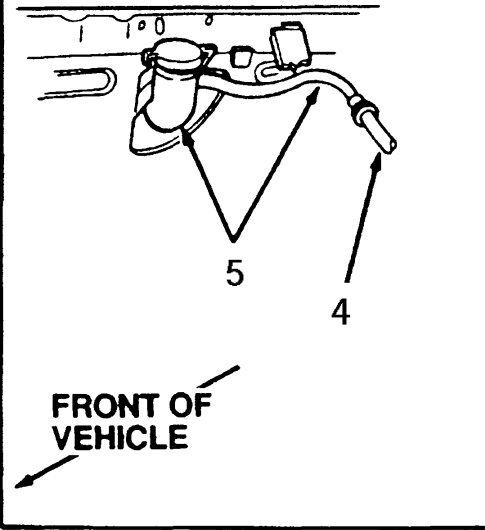


## SHO VEHICLE INSTALLATION



## REGULAR PRODUCTION VEHICLE INSTALLATION

- |   |   |
|---|---|
| 1. Windshield washer nozzle jet and bracket   | 6. Windshield washer hose               |
| 2. Bolt (2 required)                          | 7. Windshield washer reservoir          |
| 3. Vacuum and water distribution manifold     | A. Tighten to 1.8-2.6 N.m (16-23 lb-in) |
| 4. Filter                                     |   |
| 5. Windshield washer reservoir assembly (SHO) |   |