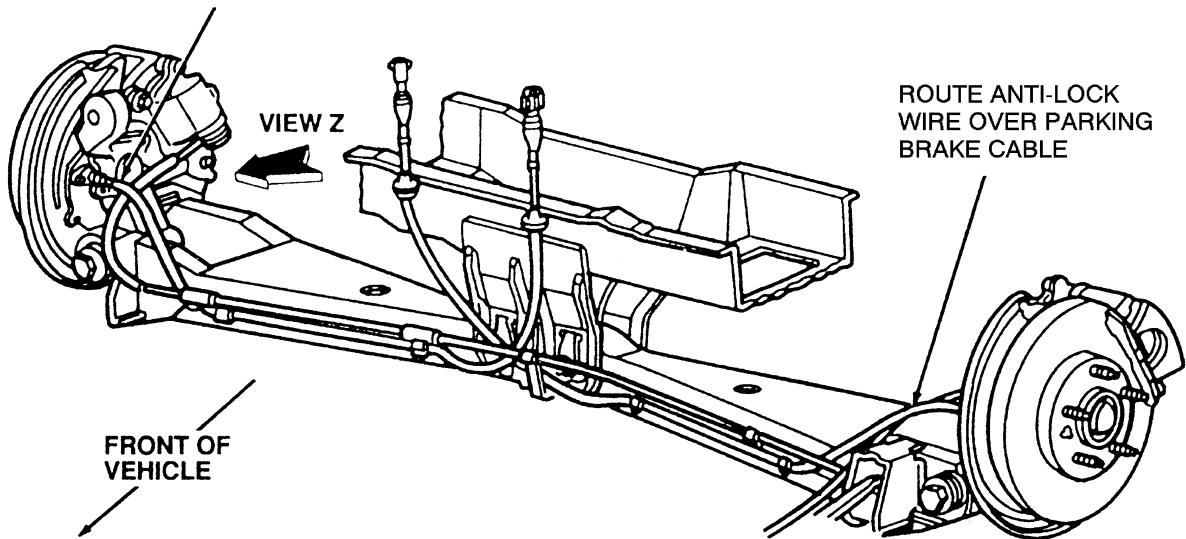


VIEW Z
RH SHOWN LH TYPICAL

ROUTE ANTI-LOCK
WIRE OVER PARKING
BRAKE CABLE



ROUTE ANTI-LOCK
WIRE OVER PARKING
BRAKE CABLE

FRONT OF
VEHICLE

- | | |
|--|--|
| 1A. Bolt | 14F. Bolt (2 required) |
| 2. Rear brake anti-lock sensor | 15. Rear wheel spindle |
| 3. Rear disc brake adapter | A. Tighten to 4.5-6.8 N.m
(3-5 lb-ft) |
| 4B. Bolt (4 required) | B. Tighten to 59-81 N.m
(44-60 lb ft) |
| 5C. Bolt (3 required) | C. Tighten to 8-12 N.m
(6-9 lb ft) |
| 6. Rear disc brake rotor
(2 required) | D. Tighten to 255-345 N.m
(188-254 lb-ft) |
| 7. Front hub cap grease seal | E. Tighten to 8-13 N.m
(6-10 lb-ft) |
| 8D. Nut (10 required) | F. Tighten to 87-119 N.m
(64-88 lb-ft) |
| 9. Retainer nut (2 required) | |
| 10. Wheel hub (2 required) | |
| 11. Rear wheel disc brake
shield (2 required) | |
| 12E. Bleed screw | |
| 13. Caliper assembly | |