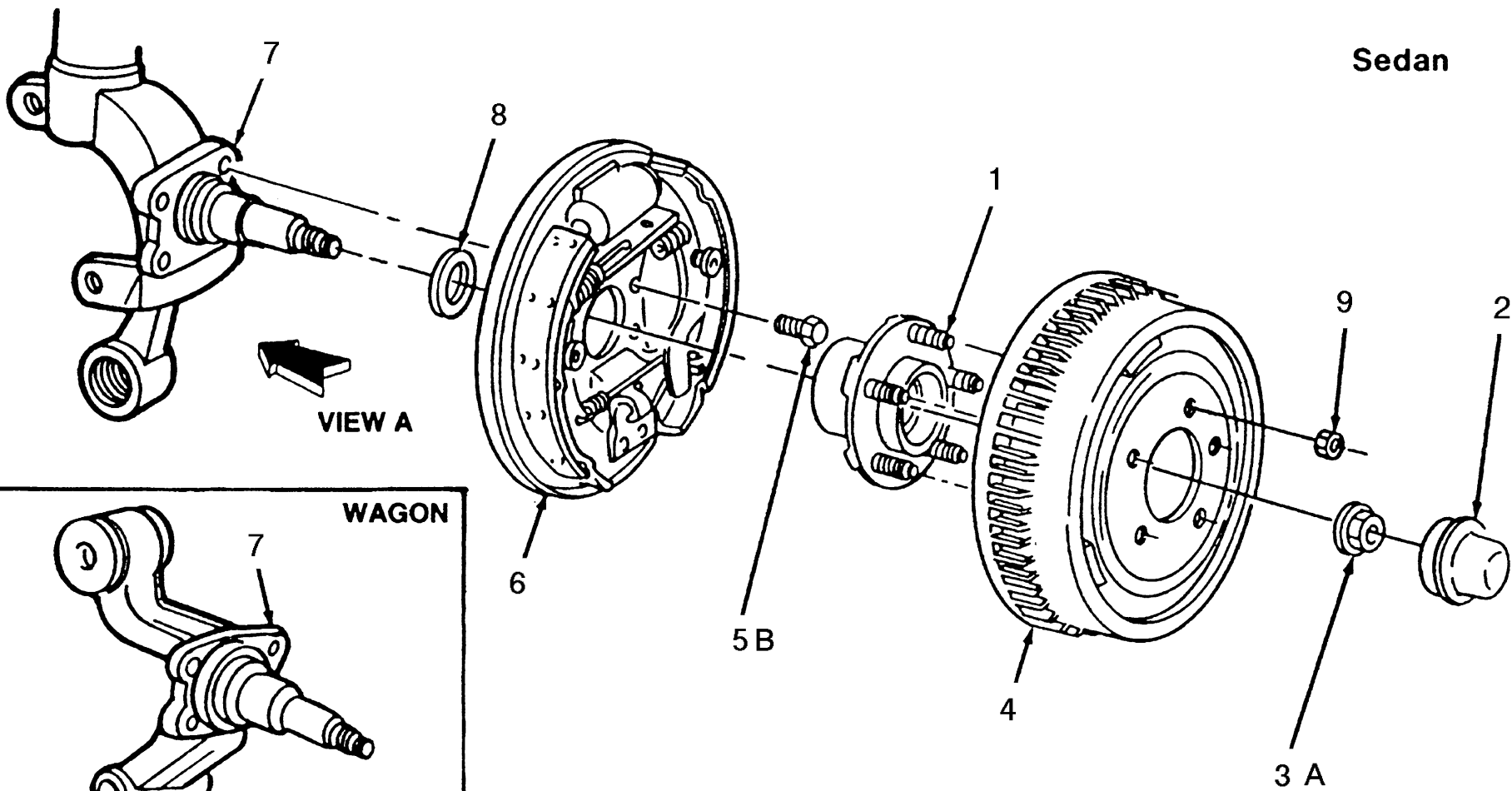


Sedan



- 1. Wheel hub
- 2. Front hub cap grease seal
- 3A. Rear axle wheel hub retainer
- 4. Brake drum
- 5B. Bolt
- 6. Brake backing plate

- 7. Rear wheel spindle
- 8. Gasket
- 9. Retainer nut
- A. Tighten to 255-345 N.m (188-254 lb-ft)
- B. Tighten to 60-80 N.m (45-59 lb-ft)

VIEW A

WAGON

VIEW A