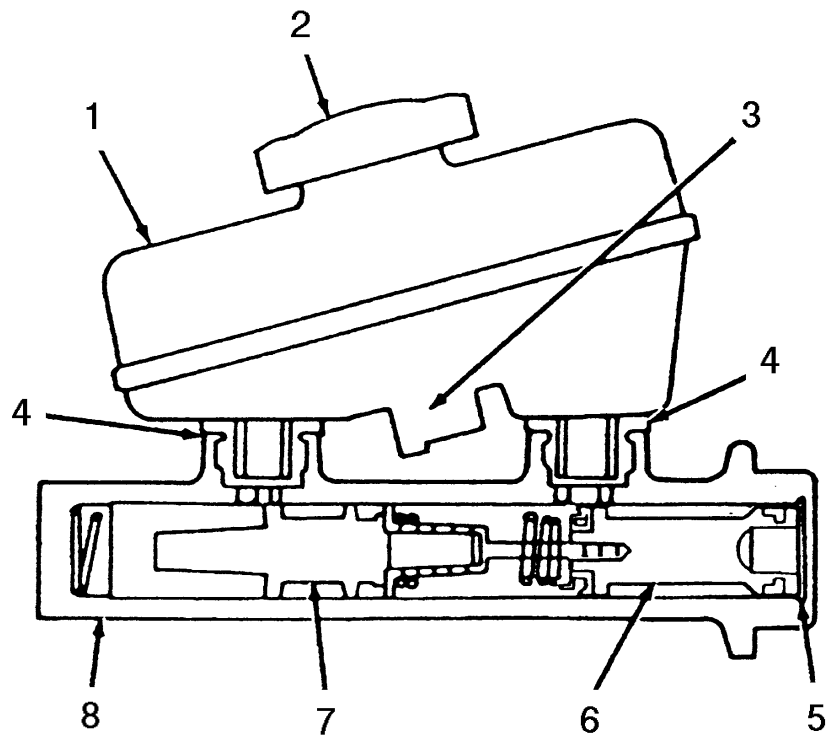


1. Brake master cylinder reservoir
2. Cap and gasket assembly (part of 2K478)
3. Reed switch assembly (part of 2K478)



4. Grommet (2 required)
5. Snap ring (part of 2K478)
6. Primary piston (part of 2140)
7. Secondary piston (part of 2140)
8. Brake master cylinder