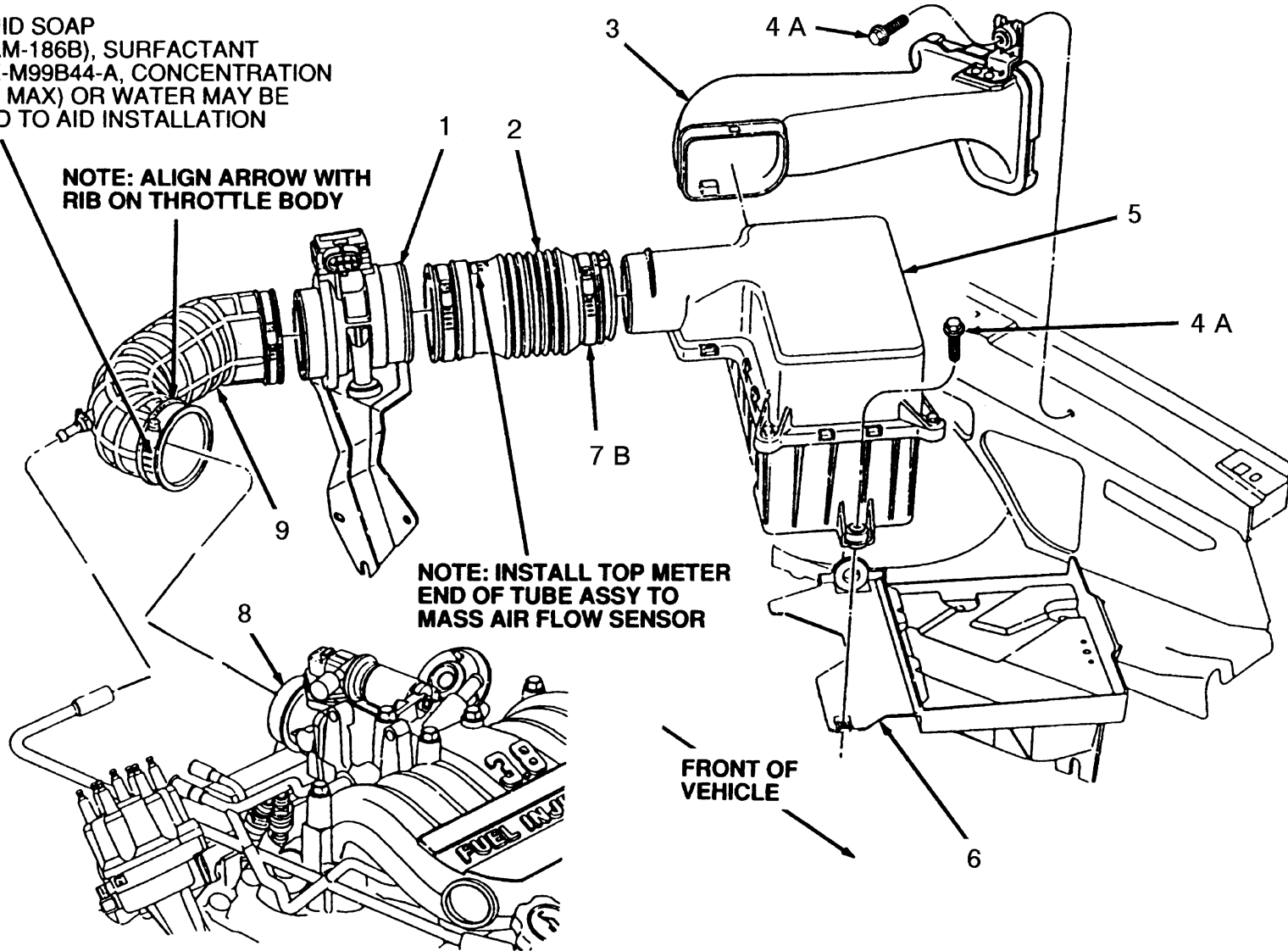


LIQUID SOAP
(ESAM-186B), SURFACTANT
(ESE-M99B44-A, CONCENTRATION
0.5% MAX) OR WATER MAY BE
USED TO AID INSTALLATION

NOTE: ALIGN ARROW WITH
RIB ON THROTTLE BODY

NOTE: INSTALL TOP METER
END OF TUBE ASSY TO
MASS AIR FLOW SENSOR

FRONT OF
VEHICLE



1. Mass air flow sensor and bracket assembly
2. Engine air outlet tube
3. Engine air cleaner intake tube and duct
- 4A. Screw
5. Engine air cleaner

6. Battery tray
 - 7B. Engine air cleaner tube clamp
 8. Throttle body
 9. Air cleaner outlet tube
- A. Tighten to 4 N.m (36 lb-in)
B. Tighten to 1.4-2.5 N.m (12-22 lb-in)